

# TYSONIC NON-SPILLABLE SEALED RECHARGEABLE BATTERY

## TY490 4V, 9.0Ah

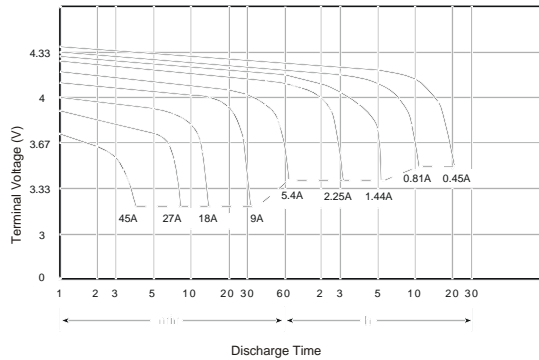
### ☆ SPECIFICATION

- NOMINAL VOLTAGE : 4 V
- NOMINAL CAPACITY(20 hrs) : 9 Ah
- DIMENSIONS
  - TOTAL HEIGHT : 100.5 mm ( 3.96 inches )
  - CONTAINER HEIGHT : 94.5 mm ( 3.72 inches )
  - LENGTH : 102 mm ( 4.02 inches )
  - WIDTH : 43.5 mm ( 1.71 inches )
- WEIGHT : APPROX 1.20 Kg ( 2.64 lbs )
- MAX DISCHARGE CURRENT : 90 A ( 5 sec )
- STANDARD TERMINALS : FO-02
- CONTAINER MATERIAL : GENERAL GRADE ABS

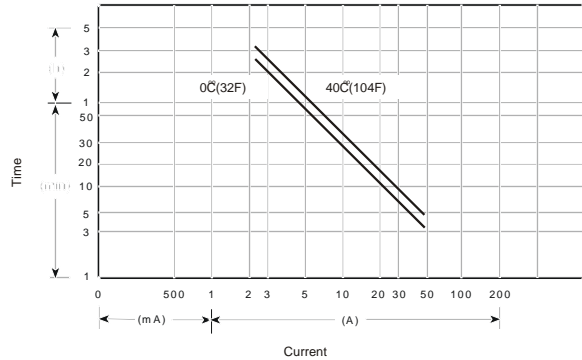
### ☆ CHARACTERISTICS

- CAPACITY 25 C / 77 F
  - 20 hr @ 0.45 A : 9 Ah
  - 5 hr @ 1.44 A : 7.2 Ah
  - 1 hr @ 5.4 A : 5.4 Ah
  - 1 C @ 9 A : 4.5 Ah
- INTERNAL RESISTANCE() : 6 m 25C°, 77 F Ω
- CHARGING VOLTAGE ( 25C, 77 F° )
  - STANDBY USE : 2.2750.025 V/CELL
  - : (-3.3mV / C / CELL)
  - CYCLE USE : 2.450.05 V/CELL
  - : (-5 mV / C / CELL) °
- MAX CHARGING CURRENT : 2.7 A

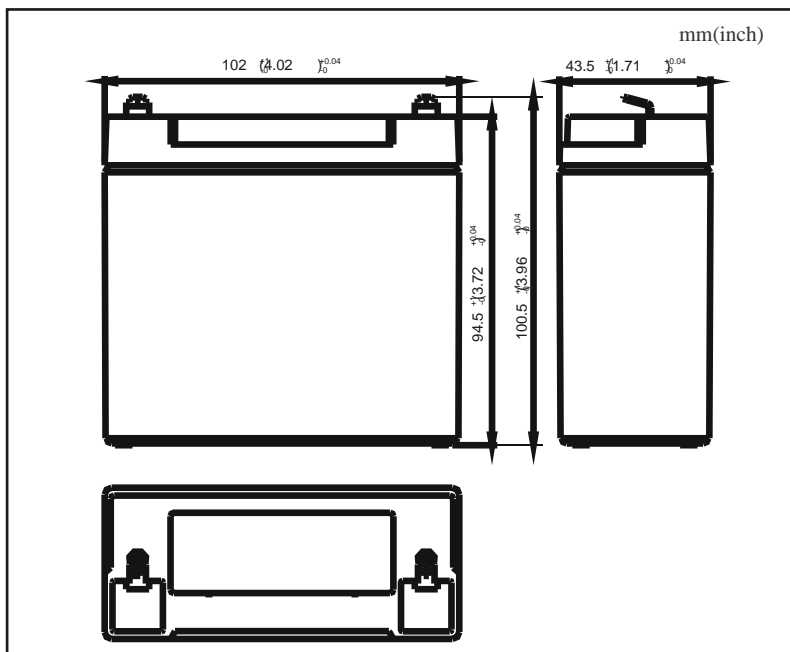
Discharge Characteristics 25 C (77 F)°



Discharge Current vs Time



### ☆ Dimensions



### ☆ Terminal

