

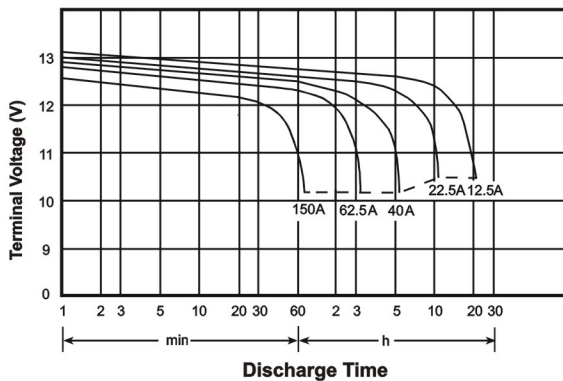


NON-SPILLABLE SEALED RECHARGEABLE BATTERY

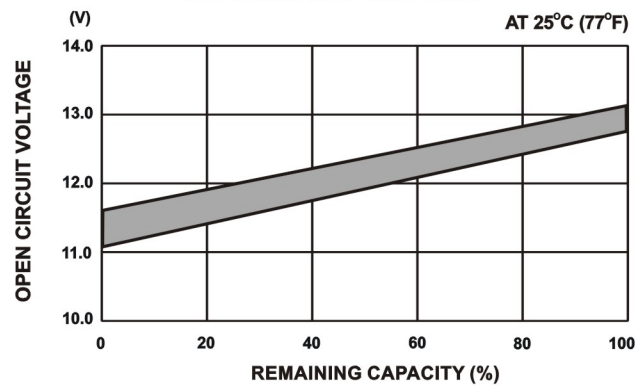
GEL122500AG 12V, 250Ah

☆ SPECIFICATION	☆ CHARACTERISTICS
● NOMINAL VOLTAGE : 12 V	● CAPACITY 25 °C / 77 °F
● NOMINAL CAPACITY(20 hrs) : 250.0 Ah	20 hr @ 12.5 A : 250 Ah
● DIMENSIONS	10 hr @ 22.5 A : 225 Ah
TOTAL HEIGHT : 242 mm (9.53 inches)	5 hr @ 40 A : 200 Ah
CONTAINER HEIGHT : 242 mm (9.53 inches)	3 hr @ 62.5 A : 187.5 Ah
LENGTH : 547 mm (21.54 inches)	1 hr @ 150 A : 150Ah
WIDTH : 275 mm (10.83 inches)	● INTERNAL RESISTANCE(25°C , 77 °F) : 4.5 mΩ
WEIGHT : APPROX 85.00 kg (187.39 lbs)	● CHARGING VOLTAGE (25°C , 77 °F)
● MAX DISCHARGE CURRENT : 2000 A (5 sec)	STANDBY USE : 2.275 ± 0.025 V/CELL
● MAX SHORT- DURATION DISCHARGE CURRENT : 4500 A(0.1 sec)	: (-3.3mV / °C / CELL)
● STANDARD TERMINALS : RT-47	CYCLE USE : 2.45 ± 0.05 V/CELL
● CONTAINER MATERIAL : GENERAL GRADE ABS	: (-5 mV / °C / CELL)
	● MAX CHARGING CURRENT : 75 A

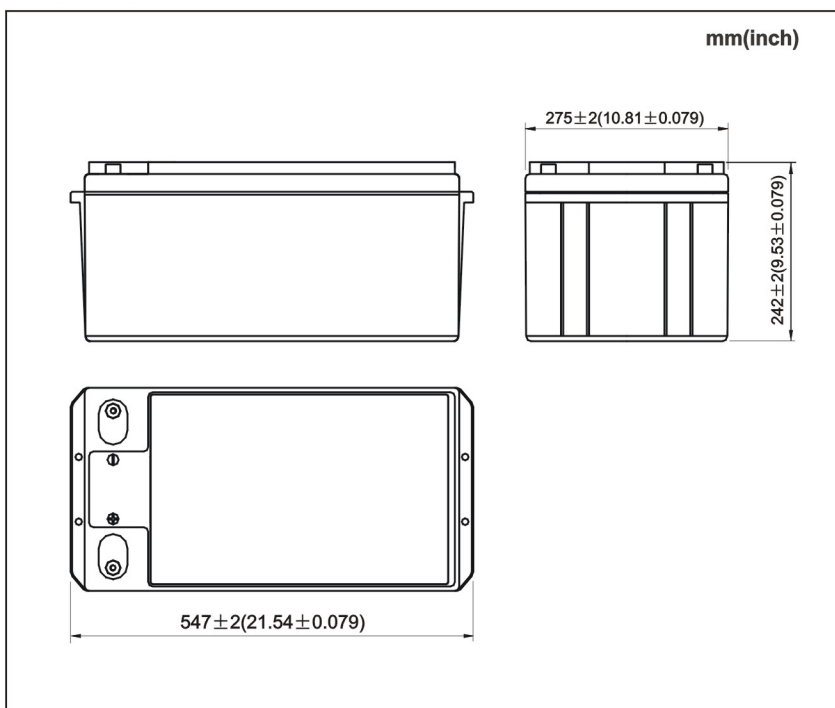
Discharge Characteristics 25 °C (77 °F)



OPEN CIRCUIT VOLTAGE VS REMAINING CAPACITY



☆ Dimensions



☆ Terminal

