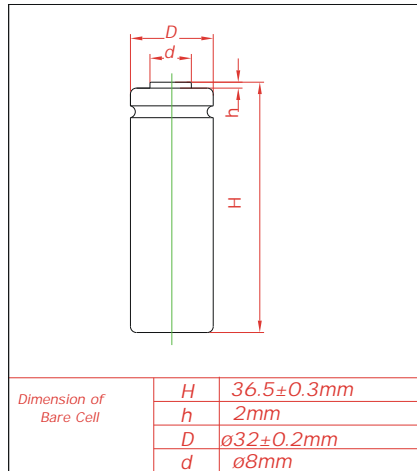
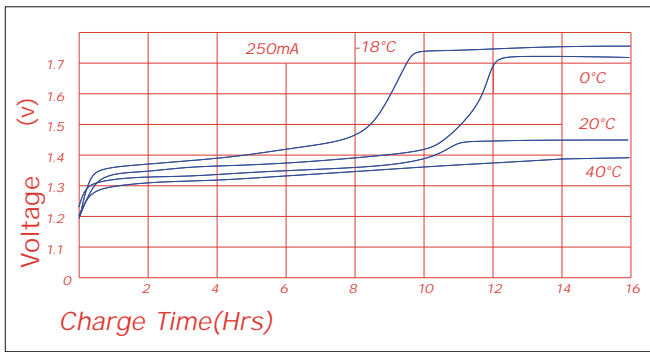


Specifications

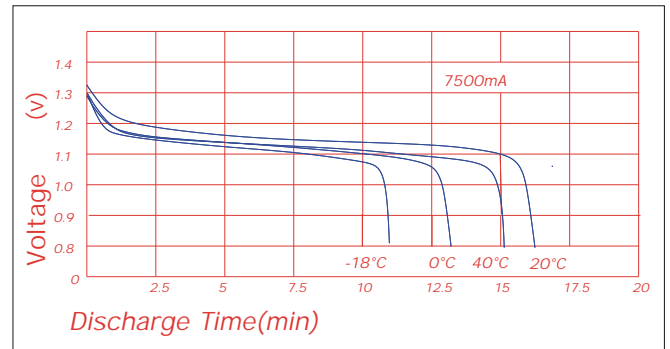


Nominal Capacity		2500mAh		
Nominal Voltage		1.2V		
Cycle life		>500		
Charge	Standard	250mA	15h	0-45°C
	Quick	750mA	5h	5-45°C
	Fast	2500mA	1.1h	10-45°C
Discharge		-20°C~65-20°C		
Storage				
Internal Impedance(AC) (After Charge)		6m Ω		
Weight		81g		

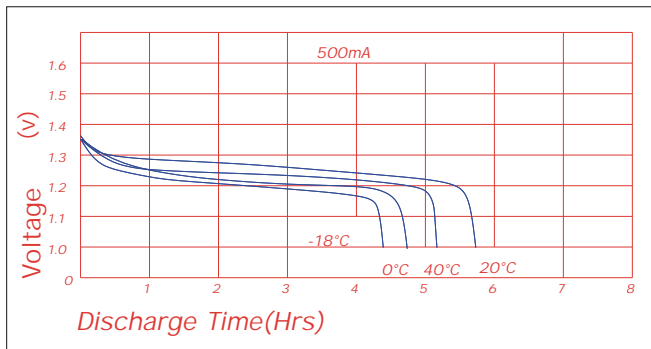
Charge



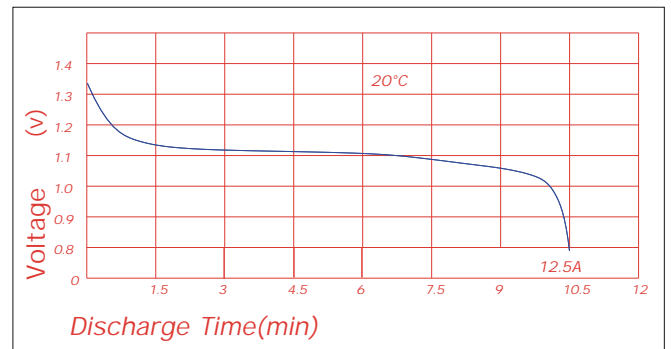
Discharge(at high rate)



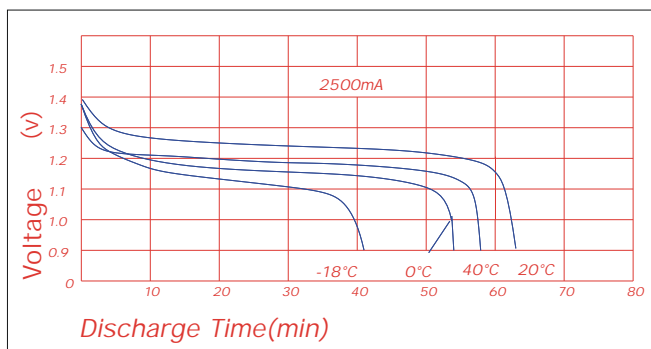
Discharge (at low rate)



Discharge(at high rate)



Discharge(at high rate)



Charge Retention

