

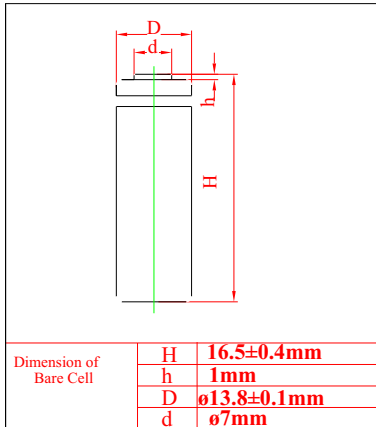


Ni-Cd

BATTERY

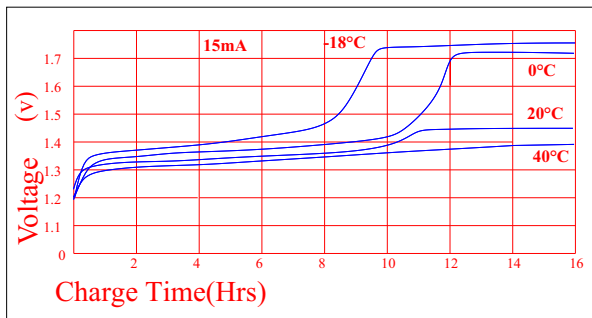
SIZE: TY-1/3AA-150MAH

Specifications

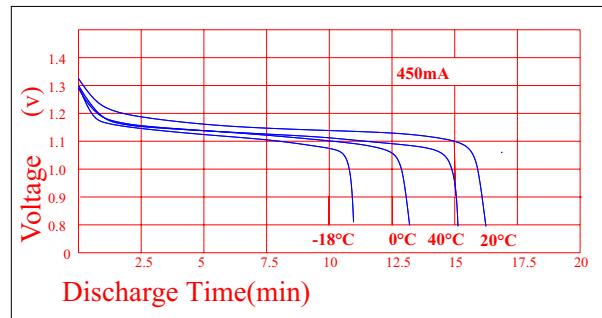


Nominal Capacity	150mAh			
Nominal Voltage	1.2V			
Cycle life	>500			
Charge	Standard	15mA	15h	0~45°C
	Quick	45mA	5h	5~45°C
	Fast	150mA	1.1h	10~45°C
Discharge	-20°C~65-20°C			
Storage	-20°C~65-20°C			
Internal Impedance(AC) (After Charge)	60m ..			
Weight	7.0g			

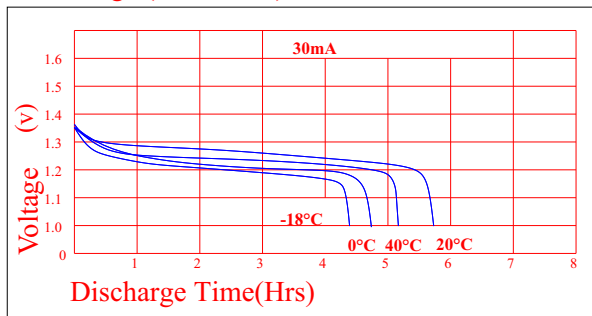
Charge



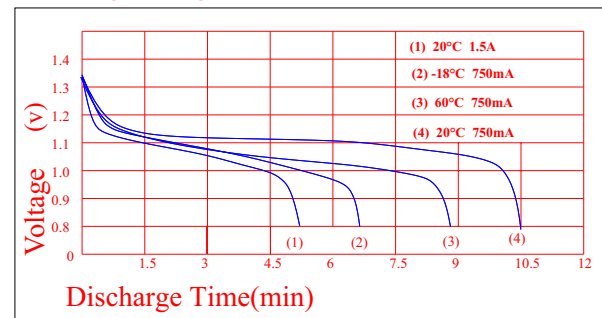
Discharge(at high rate)



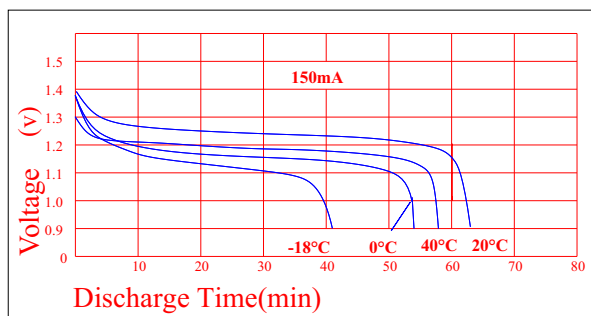
Discharge (at low rate)



Discharge(at high rate)



Discharge(at high rate)



Charge Retention

