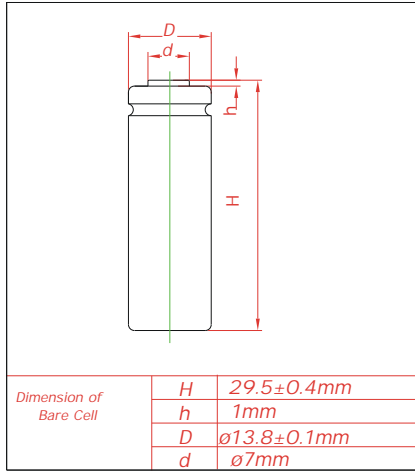
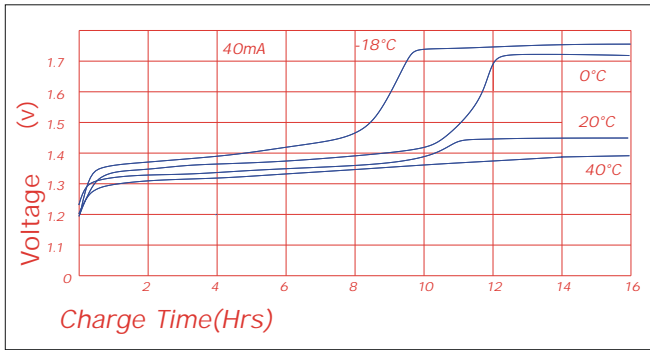


Specifications

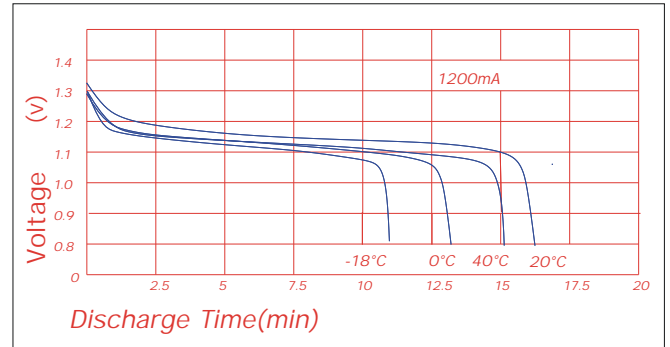


Nominal Capacity		400mAh		
Nominal Voltage		1.2V		
Cycle life		>500		
Charge	Standard	40mA	15h	0-45°C
	Quick	120mA	5h	5-45°C
	Fast	400mA	1.1h	10-45°C
Discharge		-20°C~65-20°C		
Storage				
Internal Impedance(AC) (After Charge)		30m Ω		
Weight		14.5g		

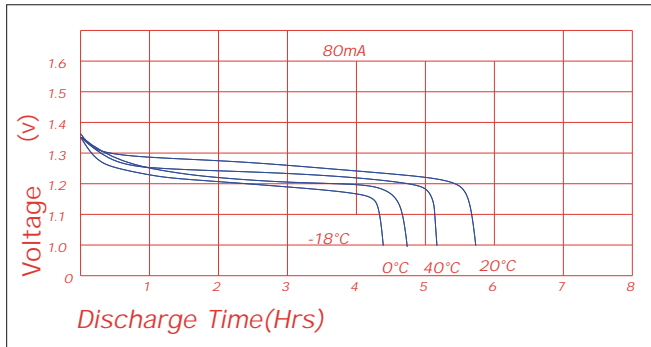
Charge



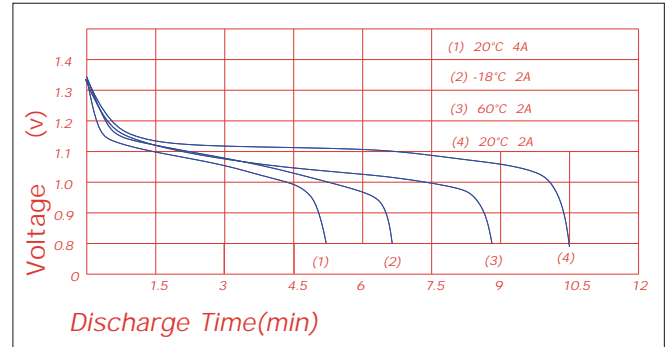
Discharge(at high rate)



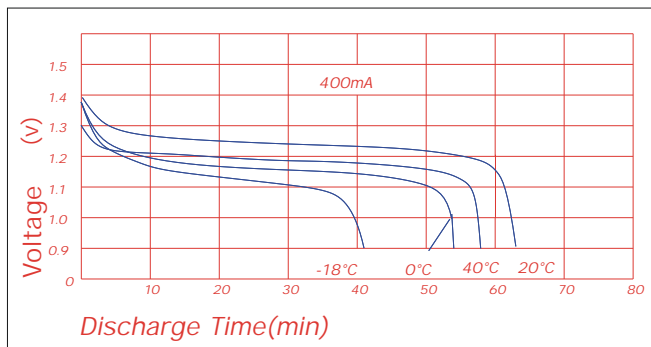
Discharge (at low rate)



Discharge(at high rate)



Discharge(at high rate)



Charge Retention

