

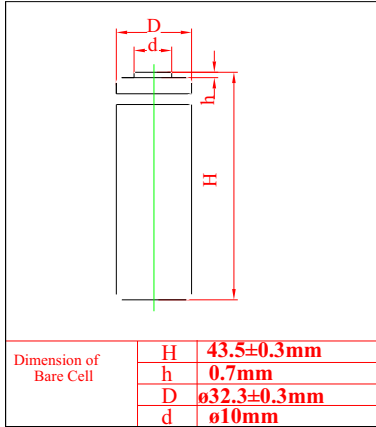


**Ni-Cd**

**BATTERY**

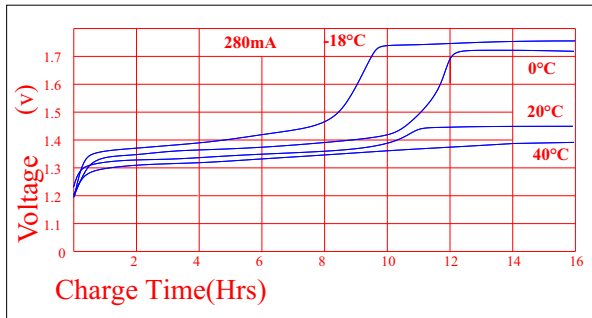
**SIZE: TY-2/3D-2800MAH**

Specifications

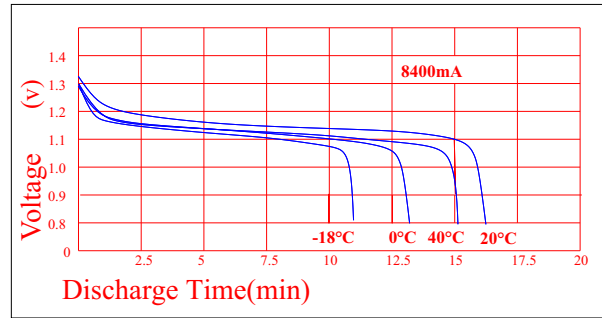


Nominal Capacity	2800mAh			
Nominal Voltage	1.2V			
Cycle life	>500			
Charge	Standard	280mA	15h	0~45°C
	Quick	840mA	5h	5~45°C
	Fast	2800mA	1.1h	10~45°C
Discharge	-20°C~65-20°C			
Storage				
Internal Impedance(AC) (After Charge)	6m ..			
Weight	83g			

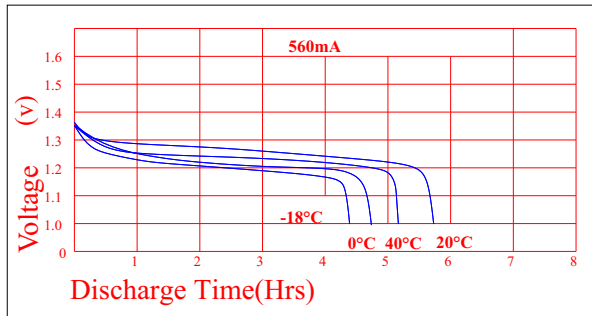
Charge



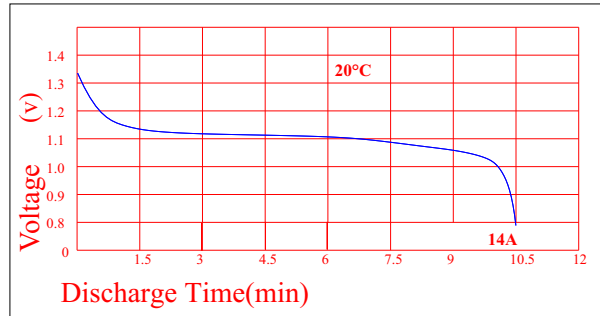
Discharge(at high rate)



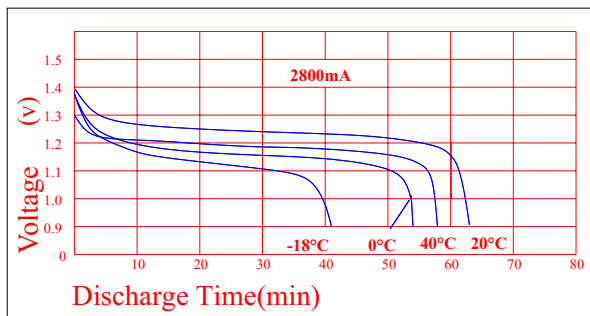
Discharge (at low rate)



Discharge(at high rate)



Discharge(at high rate)



Charge Retention

