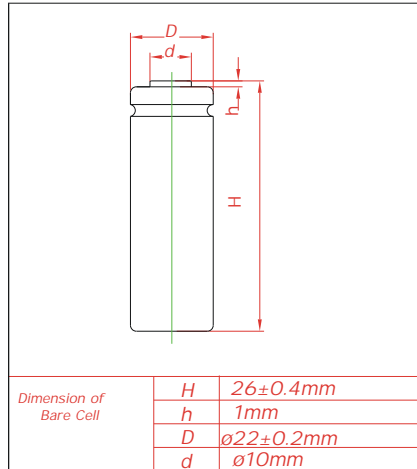
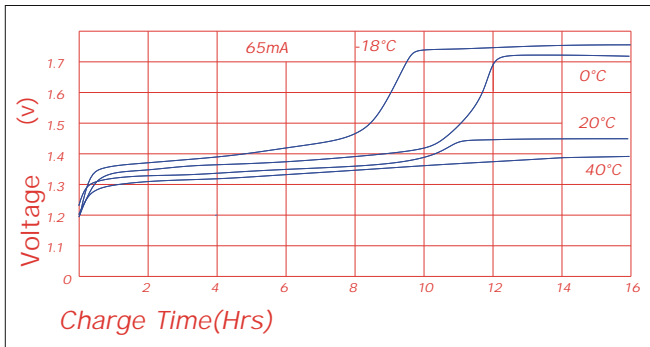
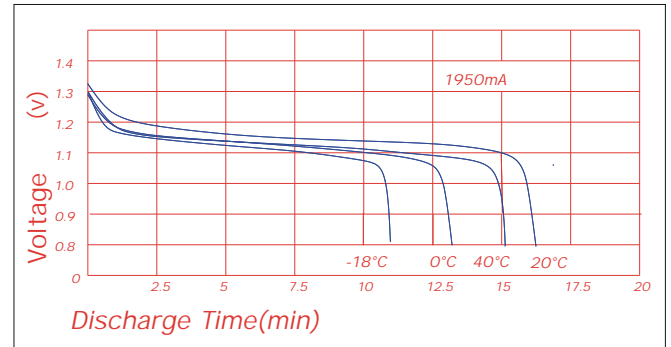
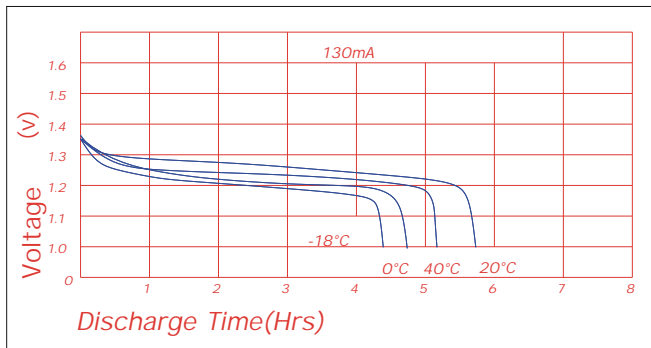
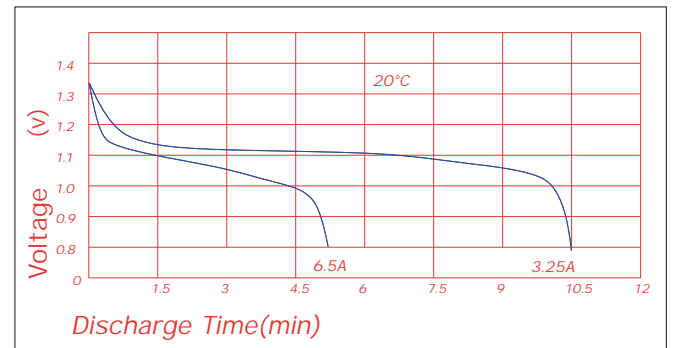
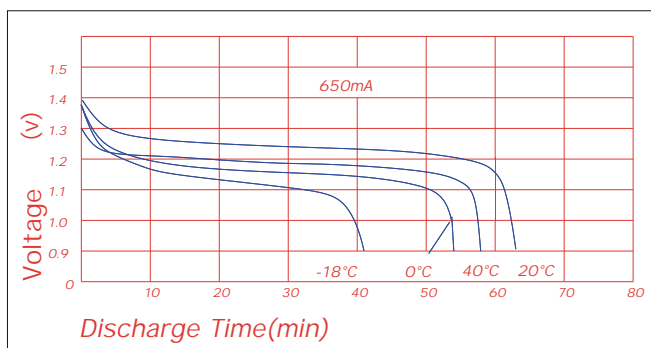


**Specifications**


Nominal Capacity		650mAh		
Nominal Voltage		1.2V		
Cycle life		>500		
Charge	Standard	65mA	15h	0~45°C
	Quick	195mA	5h	5~45°C
	Fast	650mA	1.1h	10~45°C
Discharge		-20°C~65-20°C		
Storage				
Internal Impedance(AC) (After Charge)		13m Ω		
Weight		29g		

**Charge**

**Discharge(at high rate)**

**Discharge (at low rate)**

**Discharge(at high rate)**

**Discharge(at high rate)**

**Charge Retention**
