

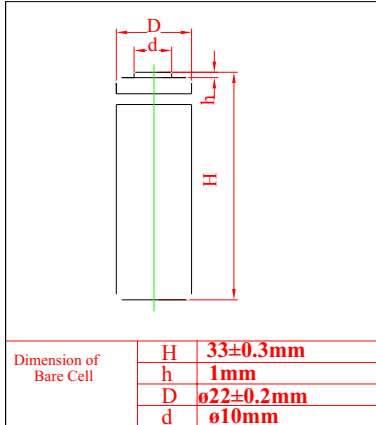


Ni-Cd

BATTERY

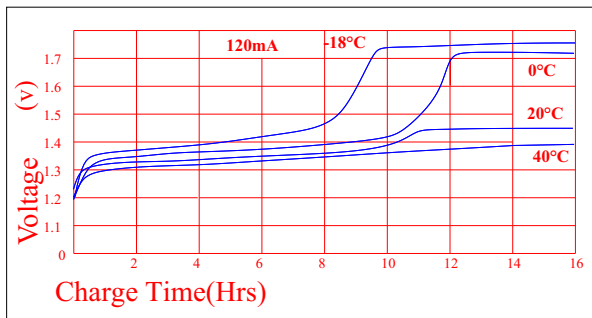
SIZE: TY-4/5SC-1200MAH

Specifications

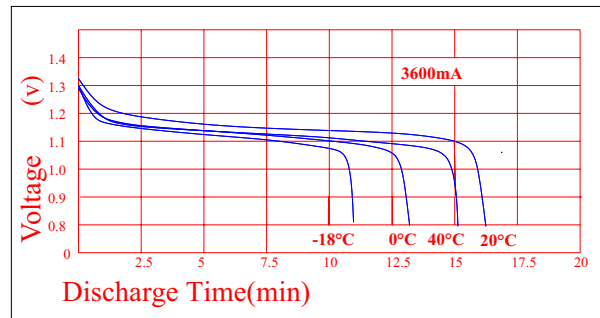


Nominal Capacity	1200mAh			
Nominal Voltage	1.2V			
Cycle life	>500			
Charge	Standard	120mA	15h	0~45°C
	Quick	360mA	5h	5~45°C
	Fast	1200mA	1.1h	10~45°C
Discharge	-20°C~65-20°C			
Storage	-20°C~65-20°C			
Internal Impedance(AC) (After Charge)	12m ..			
Weight	40g			

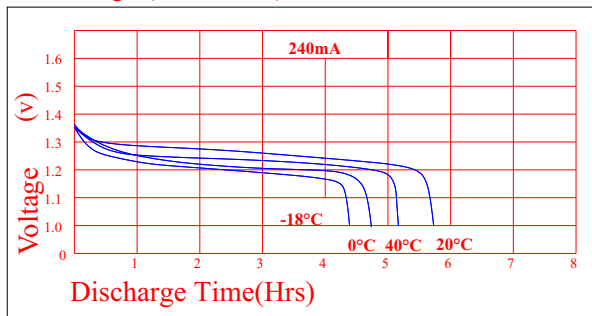
Charge



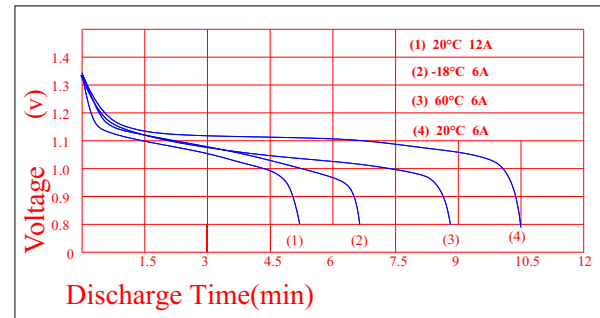
Discharge(at high rate)



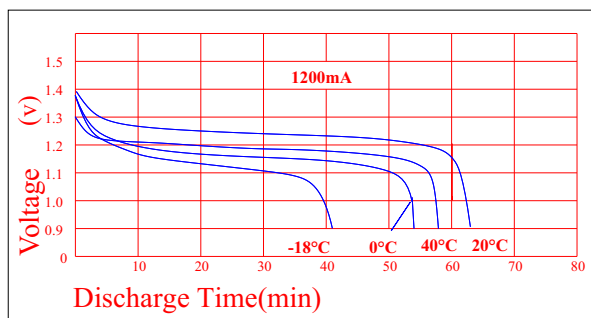
Discharge (at low rate)



Discharge(at high rate)



Discharge(at high rate)



Charge Retention

