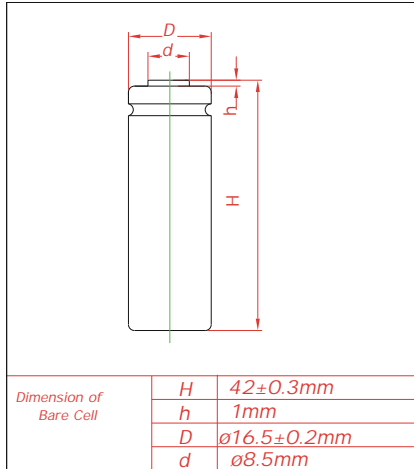
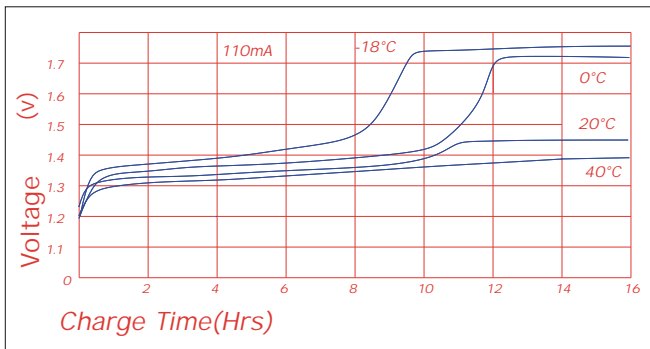
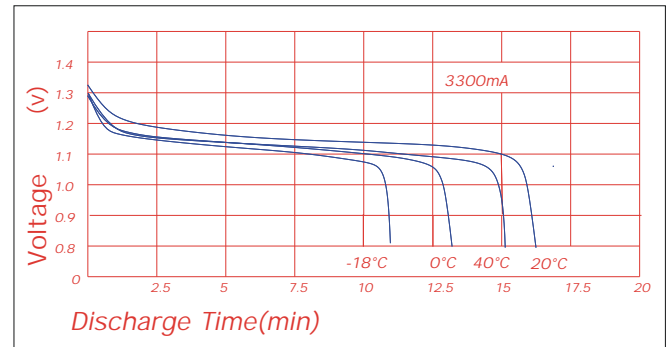
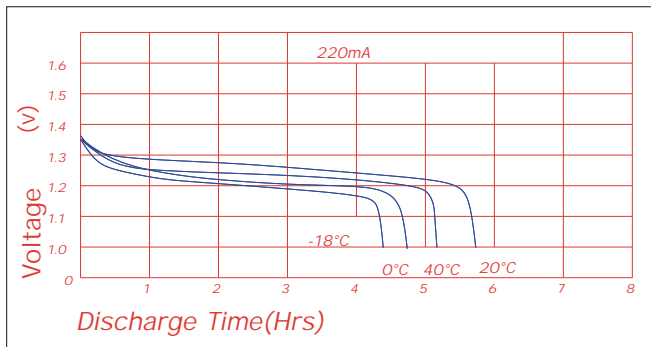
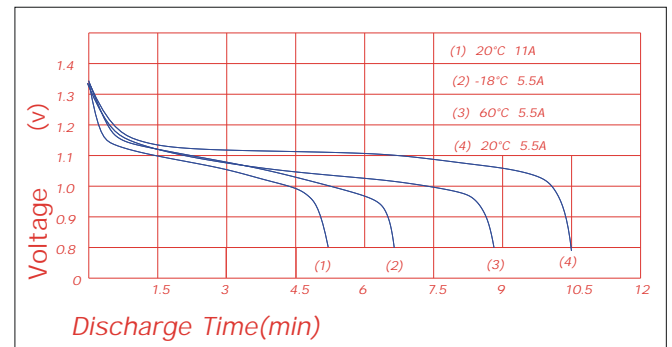
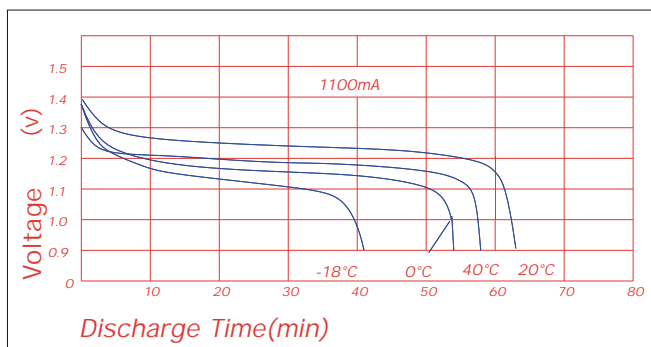


**Specifications**


Nominal Capacity		1100mAh		
Nominal Voltage		1.2V		
Cycle life		>500		
Charge	Standard	110mA	15h	0-45°C
	Quick	330mA	5h	5-45°C
	Fast	1100mA	1.1h	10-45°C
Discharge		-20°C~65-20°C		
Storage				
Internal Impedance(AC) (After Charge)		17m Ω		
Weight		30g		

**Charge**

**Discharge(at high rate)**

**Discharge (at low rate)**

**Discharge(at high rate)**

**Discharge(at high rate)**

**Charge Retention**
