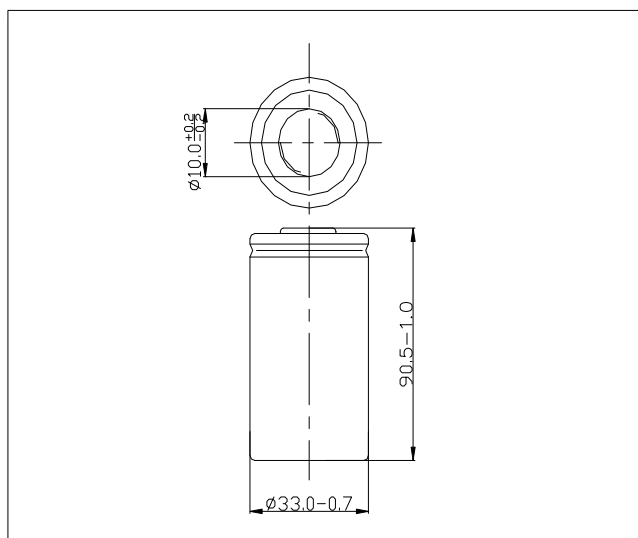


# TYSONIC TY-F-13000

## Specifications of single cell

标称电压 Nominal voltage		1.2V	
容量 Capacity		0.2C 放电 Discharge	30A 放电 Discharge
	最小 Minimum	270min	19.8min
	典型 Typical	300min	21.0min
尺寸 Dimensions	mm		
	直径 Diameter	33.0 <sup>+0.7</sup>	
	高 Height	90.5 <sup>-1.0</sup>	
大约重量 Weight(Approximately)		克 gram	
		258	
电阻 Internal Impedance At 1000 Hz		6mΩ(Max) (充电后 After Charge)	
充电 Charge	标准 Standard	1300mA(0.1C)×15hrs	
	快速 Rapid	2600mA(0.2C)×6.0hrs	
环境温度 Ambient temperature	充电 Charge	标准 standard	0°C to 40°C
		快速 Rapid	0°C to 40°C
	放电 Discharge		-20°C to 50°C
	贮藏 Storage		-20°C to 30°C

## 单颗电池尺寸包括 PVC (Dimensions with tube)

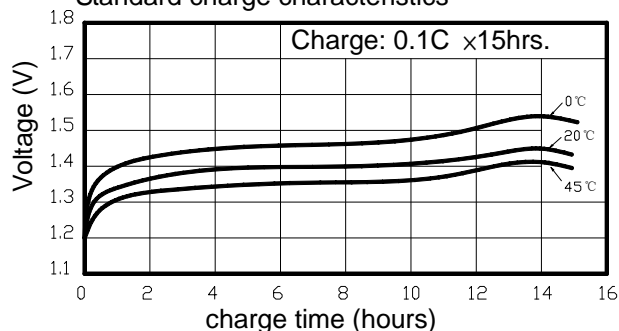


### 备注 Note:

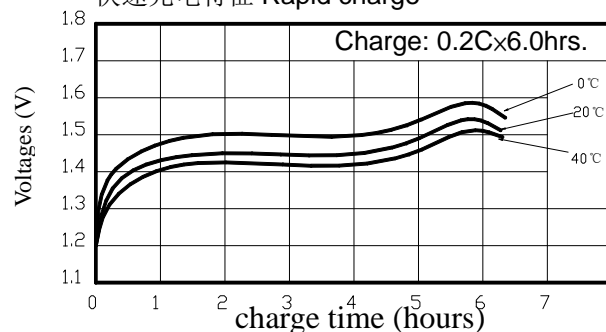
- 标称容量是指 20°C 时 0.2C 放电容量  
Nominal capacity, rated at 0.2C 20°C.
- 容量只作为参考  
Average capacity, for reference only.
- 重量和内阻也作为参考  
Weight and internal impedance are For reference.
- 寿命测试依照 IEC 标准  
Standard according as IEC of test cycle life.

## Typical characteristics

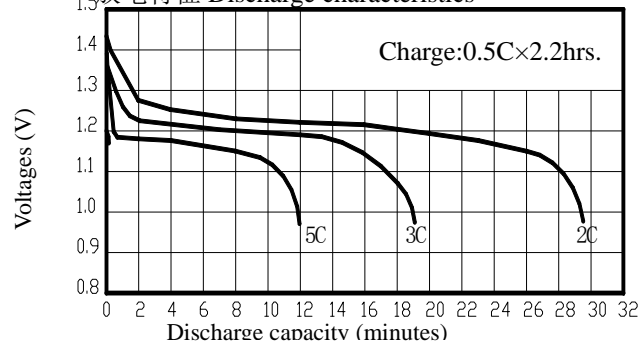
### Standard charge characteristics



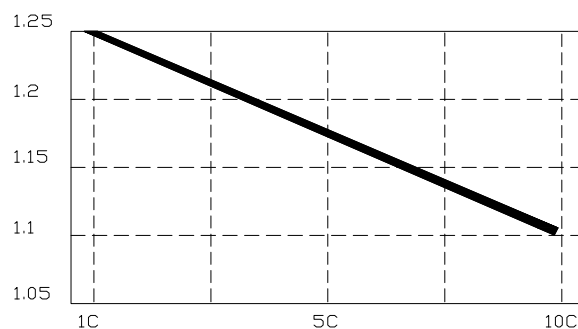
### 快速充电特征 Rapid charge



### 放电特征 Discharge characteristics



### MPV (V)



### Ni-MH 圆柱型电池在不同的温度荷电保持曲线图 Charge retention curves of Ni-MH cylindrical cell At various storage temperatures

